

APR - 410-5 - SPEC. & DIMENSION SHEET

Model #	Modulation Capacity	Unit Dimensions			Connection Dimensions (OD)				Application
		X	Y	Z	EE	L	M	G	
APR-410-5	5.5 tons	10"	10"	5"	1/4"	3/8"	5/8"	5/8"	G - SIDE CONNECTION

The APR-410-5 Hot Gas Valve should be set to begin opening at approximately **105-109 PSI ~34°F**

- SUPPLY BALL SHUT-OFF VALVES FOR ALL CONNECTIONS
- SUPPLY TEE FOR SUCTION LINE CONNECTION
- SUPPLY TEE FOR HOT-GAS CONNECTION
- SUPPLY TEE FOR LIQUID LINE CONNECTION

APR Control Selection:

System or Stage size is reduced by the Modulation Capacity listed above

Oil entrainment in suction line must be addressed

Please refer to Rawal Devices Fast Selection Chart or Consult with Rawal Devices Engineers

WHEN REQUIRED, SUPPLY TEE FOR EE CONNECTIONS EXTERNAL EQUILIZERS - EE - HAVE 1/4" SWEAT CONNECTION TEE EE CONNECTIONS INTO SUCTION LINE

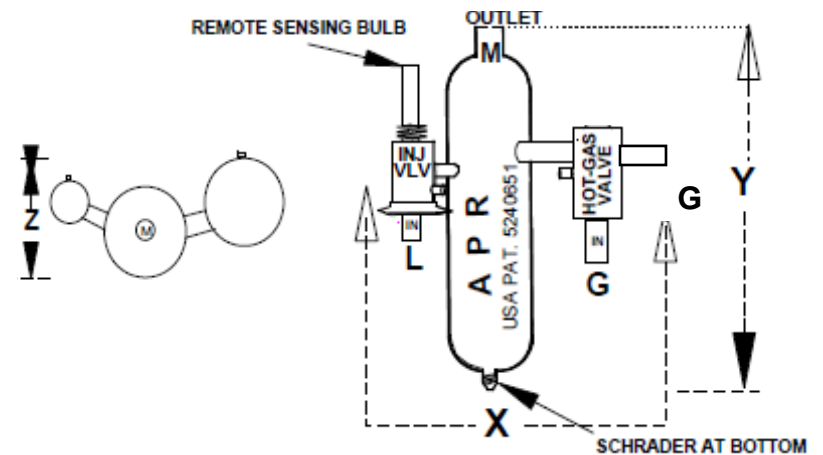
SENSING BULB ON LIQ INJ VALVES MUST BE ATTACHED AND INSULATED TO SUCTION LINE BETWEEN TEE TO APR CONTROL DISCHARGE COMING FROM TOP OF THE CHAMBER AND COMPRESSOR

THE APR-410-5 DOES NOT HAVE A BULB ON HOT GAS VALVES

ONLY WHEN NECESSARY:

REMOVE CAPS FROM ADJUSTMENT STEMS PRIOR TO ADJUSTING

TO ADJUST VALVES WHEN FACING ADJUSTING STEM CLOCKWISE INCREASES PRESSURE / TEMPERATURE. COUNTER-CLOCKWISE DECREASES PRESSURE / TEMPERATURE.



RAWAL DEVICES, INC.

Call Tech Support: (800) 727-6447

WWW.RAWAL.COM