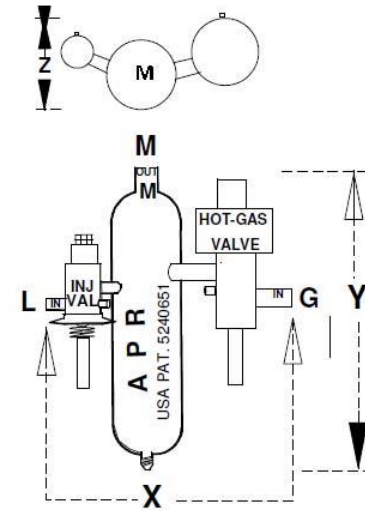


APR CONTROL - R-22 - SPEC. & DIMENSION SHEET

Model #	Modulation Capacity	Unit Dimensions			Connection Dimensions (OD)		
		X	Y	Z	L	M	G
APR-0.7	0.7 tons	7"	8"	3.5"	3/8"	5/8"	1/2"
APR-0.9	0.9 tons	7"	8"	3.5"	↓	5/8"	1/2"
APR-1R	1.45 tons	7"	8"	3.5"		5/8"	1/2"
APR-1D	2.4 tons	8.5"	10.5"	4"		5/8"	1/2"
APR-2	5 tons	9"	10"	4"		7/8"	5/8"
APR-2.5	7 tons	12"	11"	5"		7/8"	5/8"
APR-3	10 tons	12.5"	12"	5"	7/8"	7/8"	
APR-5	19 tons	12.5"	12"	6"	7/8"	7/8"	



The APR Control Hot Gas Valve should be set to begin opening at approximately 60 PSI ~34°F

- SUPPLY BALL SHUT-OFF VALVES FOR ALL CONNECTIONS
- SUPPLY TEE FOR SUCTION LINE CONNECTION
- SUPPLY TEE FOR HOT-GAS CONNECTION
- SUPPLY TEE FOR LIQUID LINE CONNECTION

APR Control Selection:

System or Stage size is reduced by the Modulation Capacity listed above

Oil entrainment in suction line must be addressed

Please refer to Rawal Devices Fast Selection Chart or Consult with Rawal Devices Engineers

FOR APR-3 and APR-5 ONLY, SUPPLY TEE FOR EE CONNECTIONS EXTERNAL EQUILIZERS - EE - HAVE 1/4" SWEAT CONNECTION TEE EE CONNECTIONS INTO SUCTION LINE

SENSING BULB ON LIQ INJ VALVE MUST BE ATTACHED AND INSULATED TO SUCTION LINE BETWEEN TEE TO APR CONTROL DISCHARGE COMING FROM TOP OF THE CHAMBER AND COMPRESSOR

ONLY WHEN NECESSARY:

REMOVE CAPS FROM ADJUSTMENT STEMS PRIOR TO ADJUSTING

TO ADJUST VALVES WHEN FACING ADJUSTING STEM CLOCKWISE RAISES PRESSURE / TEMPERATURE. COUNTER-CLOCKWISE LOWERS PRESSURE / TEMPERATURE.

**SEE SPECIAL ADJUSTMENT PROCEDURE FOR APR-5*

RAWAL DEVICES, INC.